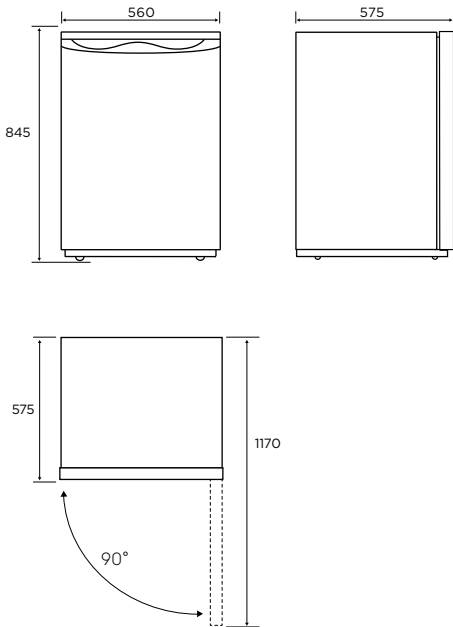


## Bar Fridge

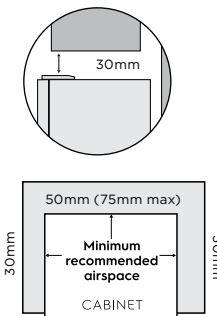
WIM1200AE; WIM1200WD



### Minimum Recommended Airspaces

We recommend minimum clearances of:

- 30mm on each side.
- 30mm above the refrigerator.
- 50mm minimum/75mm maximum behind the refrigerator.



Please note: Doors are designed to sit proud of cabinetry (not flush)

Dimensions	Product Height	Product Width	Product Depth	Product Depth (Door Open)
WIM1200AE	845	560	575	1170
WIM1200WD	845	560	575	1170

Airspace	Side - both	Behind
WIM1200AE	30	50
WIM1200WD	30	50

### IMPORTANT

These dimensions are a guide only. All measurements are in millimetres (mm). For complete installation instructions, refer to the manual provided with product.  
 © 2021 Electrolux Home Products Pty Ltd. ABN 51 004 762 341. W\_DIM\_WIM1200AE-WD\_Oct21