

**54cm white gas freestanding cooker with separate gas grill, gas oven with fan bake, 60 minute timer and a 4 burner gas cooktop with 14.2 mj/hr wok burner.**



## Product Details

### FEATURES

---

Fan bake and conventional oven

Handy separate grilling compartment

Easy clean formed shelf supports

80L/37L capacity oven/grill

---

High powered 14MJ/h wok burner

Triple ring wok burner

Gas cooktop

FamilySafe Flame Failure Device  
Stops the gas supply if the flame is extinguished.

---

### BENEFITS

---

**Grill separately for smooth entertaining**

The separate grilling compartment on selected models means you can entertain guests and cook big family meals with absolute ease and without compromising on precious oven space.

**Clean your shelf supports with ease**

When it comes to cleaning your oven we want it to be fuss free, given the design of our shelf supports you can clean the sides of your oven with ease as there are no racks to be removed.

---

**Set for 1 hour**

The mechanical timer keeps track of your cooking time for 1 hour.

**Bring out the flavour with high heat**

Whip up tasty stir-fries and more with our high-powered wok burner. You'll get the high heat you need with 14 MJ/h of power at its highest setting.

---

**Built in Australia**

Westinghouse, has been the heart of the home for generations and the kitchen appliance brand we have always known and trusted to build reliable products. This oven is built in a local factory in Adelaide.

---

## Specifications

### PRODUCT PROFILE

---

Domestic warranty details (yrs)	2
---------------------------------	---

---

Oven fuel	gas
-----------	-----

---

Materials/Colour	white enamel
------------------	--------------

---

Controls of Oven	control knob
------------------	--------------

---

Cooling fan	No
-------------	----

---

Plinth colour (kickboard)	white
---------------------------	-------

---

Anti tilt plate	Yes
-----------------	-----

---

Swept up hob	Yes
--------------	-----

---

Front/rear controls	front
---------------------	-------

---

### MAIN OVEN

---

Gross capacity litres	80
-----------------------	----

---

Useable capacity litres	72
-------------------------	----

---

Oven function	Fan Bake
---------------	----------

---

### DIMENSIONS

#### PRODUCT DIMENSION

---

Total height (mm)	1150
-------------------	------

---

Total width (mm)	540
------------------	-----

---

Total depth (mm)	620
------------------	-----

---

### SECOND OVEN OR GRILL

---

Closed door grilling	No
----------------------	----

---

Shelf support	side rack
---------------	-----------

---

Number of shelf positions	3
---------------------------	---

---

## MAIN OVEN

---

Cleaning	easy clean door
----------	-----------------

---

Oven liner	diamond glaze enamel
------------	----------------------

---

Timer functions	acoustic signal, minute minder
-----------------	--------------------------------

---

Lights	1
--------	---

---

Light wattage	25
---------------	----

---

Light position	back
----------------	------

---

Layers of glass in door	2
-------------------------	---

---

Shelf support	easy clean formed shelf supports
---------------	----------------------------------

---

Number of shelves	2
-------------------	---

---

Number of shelf positions	5
---------------------------	---

---

Safety features	flame failure safety device
-----------------	-----------------------------

---

## ELECTRICAL CONNECTION

---

Connected load KW	0.44
-------------------	------

---

Type of connection	10A plug & lead
--------------------	-----------------

---

## GAS SPECIFICATIONS

---

Oven burner output (NG) Mjh	11.8
--------------------------------	------

---

## SHIPPING

---

Shipping Weight (Kg)	47
----------------------	----

---

Pack Dimensions Height (mm)	1240
-----------------------------	------

---

Pack Dimension Width (mm)	580
---------------------------	-----

---

Pack Dimension Depth (mm)	733
---------------------------	-----

---

## COOKTOP (IF APPLICABLE)

---

### PRODUCT PROFILE

---

Cook top type	gas
---------------	-----

---

Materials/Colour	white enamel
------------------	--------------

---

## LEFT REAR ZONE

---

Left rear zone	simmer
----------------	--------

---

## CONTROLS

---

Position of controls	front
----------------------	-------

---

## STUFFING QUANTITIES

---

40ft	128
------	-----

---

40ft HC	152
---------	-----

---

## ELEMENTS/BURNERS

---

Cooking zones	4
---------------	---

---

## FEATURES

---

Trivets	enamel
---------	--------

---

Ignition type	electronic
---------------	------------

---

## ELECTRICAL CONNECTION

---

Connected load KW	0.44
-------------------	------

---

Type of connection of Cooktop plug & lead

---

## GAS SPECIFICATIONS

---

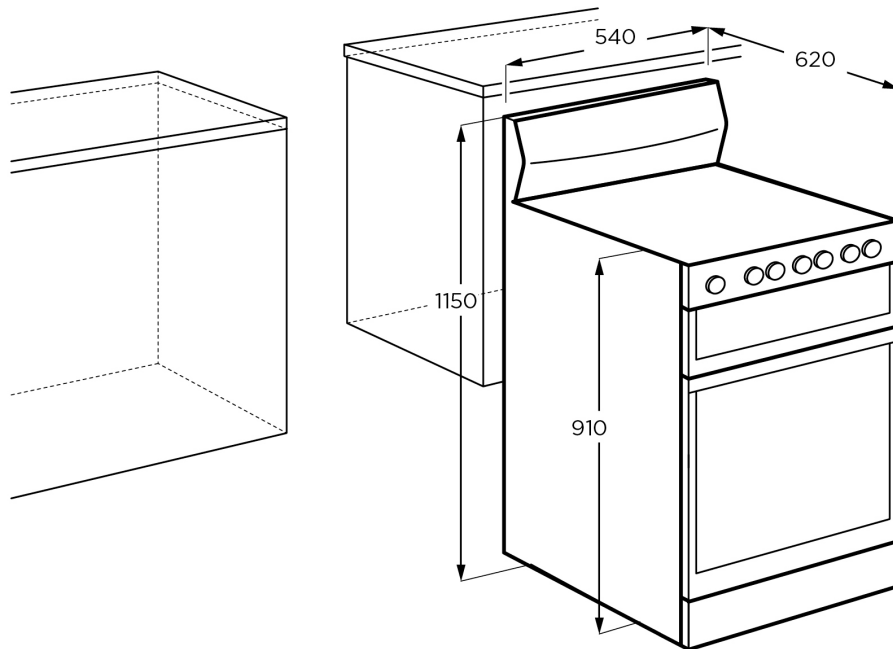
Maximum gas rating (NG) 60.8

---

## Dimensions

### 54cm Front Control Freestanding Cooker, Separate Grill

WLG510WC, WLG510WCA, WLG512WC



#### IMPORTANT

These dimensions are a guide only. All measurements are in millimetres (mm).  
For complete installation instructions, refer to the manual provided with product.

# Terms and Conditions

## IMPORTANT

This is a guide of product dimensions only. For complete installation instructions, refer to the manual provided with product.

## PRODUCT INFORMATION

The descriptors and illustrations in this publication apply to the specific products and models described as at the date of issue. Under our policy of continuous product development, product specifications may change without notice. Prospective purchasers should therefore check with their retailer to ensure this publication correctly describes the products that are being offered for sale. All information supplied is to be used for general reference purposes only and is on the understanding that Electrolux Home Products Pty Ltd (Australia) and Electrolux (NZ) Ltd (New Zealand) will not be liable for any loss, liability or damage of whatever kind arising as a result of reliance on such information. Colours of products illustrated are as close as printing limitations allow. Electrolux will at all times comply with its obligations pursuant to law including Trade Practices (Australian Consumer Law) Act and Regulations.

## WARRANTY

This warranty only applies to Appliances purchased and used in Australia or New Zealand and used in normal domestic applications and is in addition to (and does not exclude, restrict, or modify in any way) any non-excludable statutory warranties in Australia or New Zealand. All warranties are subject to the conditions set out in the warranty card accompanying the product when purchased.

### ELECTROLUX HOME PRODUCTS AUSTRALIA

telephone: 1300 363 640

fax: 1800 350 067

email: [customercare@electrolux.com.au](mailto:customercare@electrolux.com.au)

web: [www.electrolux.com.au](http://www.electrolux.com.au)

### ELECTROLUX HOME PRODUCTS NEW ZEALAND

telephone: 09 573 2230

fax: 09 573 2221

email: [customercare@electrolux.co.nz](mailto:customercare@electrolux.co.nz)

web: [www.electrolux.co.nz](http://www.electrolux.co.nz)