

**54cm white electric freestanding cooker with a conventional electric oven, 60 minute timer and a 4 zone coil cooktop.**



## Product Details

### FEATURES

---

Conventional oven	1 hour mechanical timer	Easy clean formed shelf supports	Power on indicator indicates if power is on to provide peace of mind
Easy reach rear controls	Easy-clean oven and surfaces	Durable enamel surfaces	Side power points
80L gross capacity oven	Radiant coil elements		

---

### BENEFITS

---

**Set for 1 hour**  
The mechanical timer keeps track of your cooking time for 1 hour.

**Clean your shelf supports with ease**  
When it comes to cleaning your oven we want it to be fuss free, given the design of our shelf supports you can clean the sides of your oven with ease as there are no racks to be removed.

**Rear control for safety**  
Our rear control is easy to reach and angled to keep your cookers control away from smaller hands.

**On and ready to cook**  
The power on indicator clearly shows when your cooktop is on allowing your family to safely move around the kitchen.

---

## Specifications

### PRODUCT PROFILE

---

Domestic warranty details (yrs)	2
Oven fuel	electric
Materials/Colour	white enamel
Controls of Oven	control knob
Cooling fan	No
Plinth colour (kickboard)	white
Anti tilt plate	Yes
Swept up hob	Yes
Front/rear controls	rear

### MAIN OVEN

---

Gross capacity litres	80
Useable capacity litres	66
Oven function	conventional

### DIMENSIONS

---

#### PRODUCT DIMENSION

---

Total height (mm)	1150
Total width (mm)	540
Total depth (mm)	620

### ELECTRICAL CONNECTION

---

Connected load KW	10
Type of connection	hardwired

## MAIN OVEN

---

Oven liner	enamel
------------	--------

---

Timer functions	acoustic signal,minute minder
-----------------	-------------------------------

---

Lights	1
--------	---

---

Light wattage	25
---------------	----

---

Light position	back
----------------	------

---

Layers of glass in door	2
-------------------------	---

---

Shelf support	easy clean formed shelf supports
---------------	----------------------------------

---

Number of shelves	2
-------------------	---

---

Number of shelf positions	5
---------------------------	---

---

Closed door grilling	Yes
----------------------	-----

---

## SHIPPING

---

Shipping Weight (Kg)	41.5
----------------------	------

---

Pack Dimensions Height (mm)	1241
-----------------------------	------

---

Pack Dimension Width (mm)	580
---------------------------	-----

---

## STUFFING QUANTITIES

---

40ft	128
------	-----

---

40ft HC	152
---------	-----

---

## SHIPPING

---

Pack Dimension Depth (mm)	735
---------------------------	-----

---

## COOKTOP (IF APPLICABLE)

---

### PRODUCT PROFILE

---

Cook top type	electric
---------------	----------

---

Materials/Colour	white enamel
------------------	--------------

---

## LEFT FRONT ZONE

---

Left front Watts	1250
------------------	------

---

## RIGHT FRONT ZONE

---

Right front Watts	2050
-------------------	------

---

## ELEMENTS/BURNERS

---

Cooking zones	4
---------------	---

---

## LEFT REAR ZONE

---

Left rear zone	coil
----------------	------

---

Left rear watts	1250
-----------------	------

---

## RIGHT REAR ZONE

---

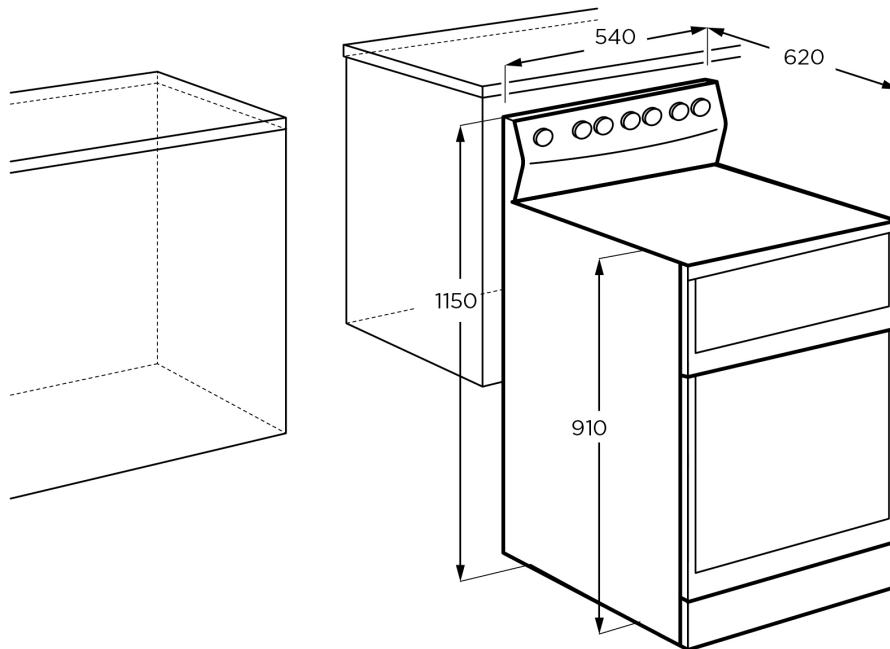
Right rear watts	1250
------------------	------

---

## Dimensions

### 54cm Rear Control Freestanding Cooker

WLE524WC



**IMPORTANT**

These dimensions are a guide only. All measurements are in millimetres (mm).  
For complete installation instructions, refer to the manual provided with product.

# Terms and Conditions

## IMPORTANT

This is a guide of product dimensions only. For complete installation instructions, refer to the manual provided with product.

## PRODUCT INFORMATION

The descriptors and illustrations in this publication apply to the specific products and models described as at the date of issue. Under our policy of continuous product development, product specifications may change without notice. Prospective purchasers should therefore check with their retailer to ensure this publication correctly describes the products that are being offered for sale. All information supplied is to be used for general reference purposes only and is on the understanding that Electrolux Home Products Pty Ltd (Australia) and Electrolux (NZ) Ltd (New Zealand) will not be liable for any loss, liability or damage of whatever kind arising as a result of reliance on such information. Colours of products illustrated are as close as printing limitations allow. Electrolux will at all times comply with its obligations pursuant to law including Trade Practices (Australian Consumer Law) Act and Regulations.

## WARRANTY

This warranty only applies to Appliances purchased and used in Australia or New Zealand and used in normal domestic applications and is in addition to (and does not exclude, restrict, or modify in any way) any non-excludable statutory warranties in Australia or New Zealand. All warranties are subject to the conditions set out in the warranty card accompanying the product when purchased.

### ELECTROLUX HOME PRODUCTS AUSTRALIA

telephone: 1300 363 640

fax: 1800 350 067

email: [customercare@electrolux.com.au](mailto:customercare@electrolux.com.au)

web: [www.electrolux.com.au](http://www.electrolux.com.au)

### ELECTROLUX HOME PRODUCTS NEW ZEALAND

telephone: 09 573 2230

fax: 09 573 2221

email: [customercare@electrolux.co.nz](mailto:customercare@electrolux.co.nz)

web: [www.electrolux.co.nz](http://www.electrolux.co.nz)