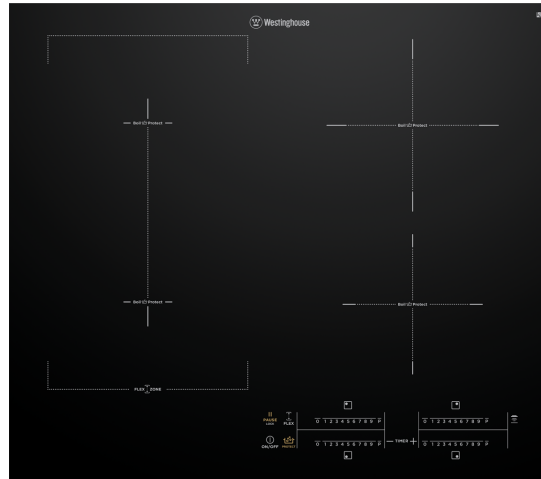


60cm 4 zone induction cooktop with BoilProtect, FlexZone, Hob2Hood, PowerBoost and Pause function.



Product Details

FEATURES

BoilProtect

FlexZone

Hob2Hood

PowerBoost

Pause

QuickCook Timer

Perfect heat control

Touch slide control

Easy cleaning

Residual heat indicator

Child safety device

BENEFITS

No more boiling over

There are more exciting things to do than watching water boil. BoilProtect detects rising bubbles and automatically reduces to a low simmer. No more constant monitoring so you can focus on the flavours. Applies to stainless steel and enamelled pots filled with water only.

FlexZone gives you room to move

Cater for larger pots and pans with Flex Zone. Designed with busy family kitchens in mind, Flex Zone lets you use two induction zones separately or link them together when you're cooking for a crowd.

Slide for instant temperature control

Easy touch slider control allows you to choose your temperature setting instantly with the slide of a finger.

Zero to Boil in no time

With PowerBoost, you can rapidly boil a pot of water or quickly heat up a frying pan. Spend less time waiting and more time creating your favourite meals.

Hold everything with our clever Pause function

We know that family life is full of distractions. That's why you'll appreciate our clever Pause function. Simply touch the Pause icon on your cooktop and all operating induction zones will drop to the lowest setting. When you're ready to go again, hit Pause again and settings will return to where you left off.

Clear the air with Hob2Hood

With Hob2Hood technology, compatible rangehoods work seamlessly with your induction or ceramic cooktop to clear your kitchen of cooking smells and steam. As you start cooking, the rangehood will automatically turn on then intuitively adjust the fan speed and airflow to match your cooking. How's that for hands-free convenience?

Specifications

PRODUCT PROFILE

Domestic warranty details (yrs)	2
Cooktop type	induction
Materials/Colour	black ceramic glass

DIMENSIONS

Total product height (mm)	46
Total product width (mm)	590
Total product depth (mm)	520
Cut out width (mm)	560
Cut out depth (mm)	490

CONTROLS

Controls of Cooktops	Touch and Slide controls
Position of controls	right front
Functions of Cooktops	timer,Keep warm function,pause,PowerBoost,Hob2Hood,BoilProtect
Indicators/display	fault indicator,residual heat warning lamps
Features of Cooktop	BoilProtect,Hob2Hood,FlexZone,safety cut off,electronic timer,safety child lock,hot surface indicator
Timer of Cooktop	programmable 99min,countdown

ELEMENTS/BURNERS

LEFT FRONT ZONE

Left front zone	FlexZone
Left front Watts	2300
Left front boost watts	3200
Left front number of cooking zones	1
Left front diameter mm	210

CONTROLS

Readable temperature setting	No
------------------------------	----

LEFT REAR ZONE

Left rear zone	FlexZone
----------------	----------

Left rear watts	2300
-----------------	------

Left rear number of cooking zones	1
-----------------------------------	---

Left rear diameter mm	210
-----------------------	-----

RIGHT FRONT ZONE

Right front zone	induction
------------------	-----------

Right front Watts	1400
-------------------	------

Right front number of cooking zones	1
-------------------------------------	---

Right front diameter mm	140
-------------------------	-----

RIGHT REAR ZONE

Right rear zone	induction
-----------------	-----------

Right rear watts	1800
------------------	------

Right rear diameter mm	180
------------------------	-----

ELECTRICAL SPECIFICATIONS

Connected load KW	7.4
-------------------	-----

Type of connection	hardwired
--------------------	-----------

SHIPPING

Shipping Weight (Kg)	11.3
----------------------	------

STUFFING QUANTITIES

20ft	486
------	-----

SHIPPING

Pack Dimensions Height (mm)	120
-----------------------------	-----

Pack Dimension Width (mm)	675
---------------------------	-----

Pack Dimension Depth (mm)	600
---------------------------	-----

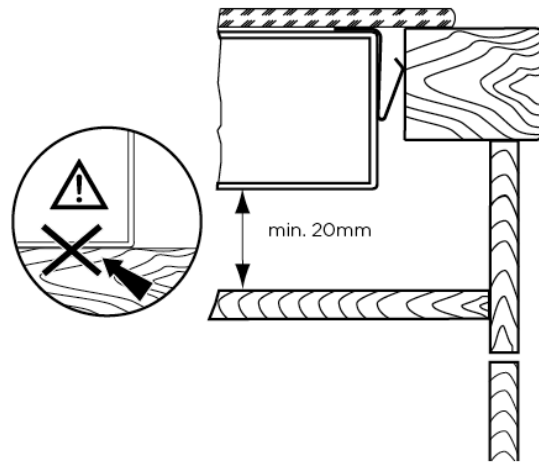
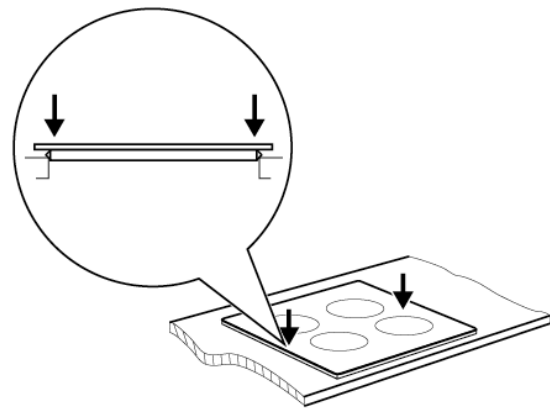
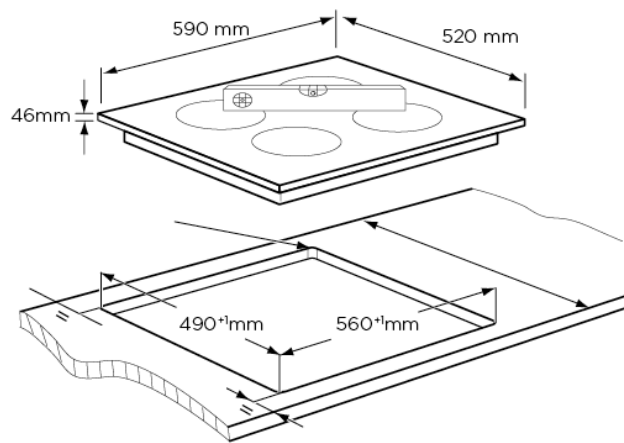
STUFFING QUANTITIES

40ft HC	1197
---------	------

Dimensions

60cm induction cooktops

WHI633BC, WHI643BC, WHI645BC, WHI641BCA



IMPORTANT

These dimensions are a guide only. All measurements are in millimetres (mm).
For complete installation instructions, refer to the manual provided with product.

Terms and Conditions

IMPORTANT

This is a guide of product dimensions only. For complete installation instructions, refer to the manual provided with product.

PRODUCT INFORMATION

The descriptors and illustrations in this publication apply to the specific products and models described as at the date of issue. Under our policy of continuous product development, product specifications may change without notice. Prospective purchasers should therefore check with their retailer to ensure this publication correctly describes the products that are being offered for sale. All information supplied is to be used for general reference purposes only and is on the understanding that Electrolux Home Products Pty Ltd (Australia) and Electrolux (NZ) Ltd (New Zealand) will not be liable for any loss, liability or damage of whatever kind arising as a result of reliance on such information. Colours of products illustrated are as close as printing limitations allow. Electrolux will at all times comply with its obligations pursuant to law including Trade Practices (Australian Consumer Law) Act and Regulations.

WARRANTY

This warranty only applies to Appliances purchased and used in Australia or New Zealand and used in normal domestic applications and is in addition to (and does not exclude, restrict, or modify in any way) any non-excludable statutory warranties in Australia or New Zealand. All warranties are subject to the conditions set out in the warranty card accompanying the product when purchased.

ELECTROLUX HOME PRODUCTS AUSTRALIA

telephone: 1300 363 640

fax: 1800 350 067

email: customercare@electrolux.com.au

web: www.electrolux.com.au

ELECTROLUX HOME PRODUCTS NEW ZEALAND

telephone: 09 573 2230

fax: 09 573 2221

email: customercare@electrolux.co.nz

web: www.electrolux.co.nz